



Outdoor Mounting Stand

for Smart Security Camera

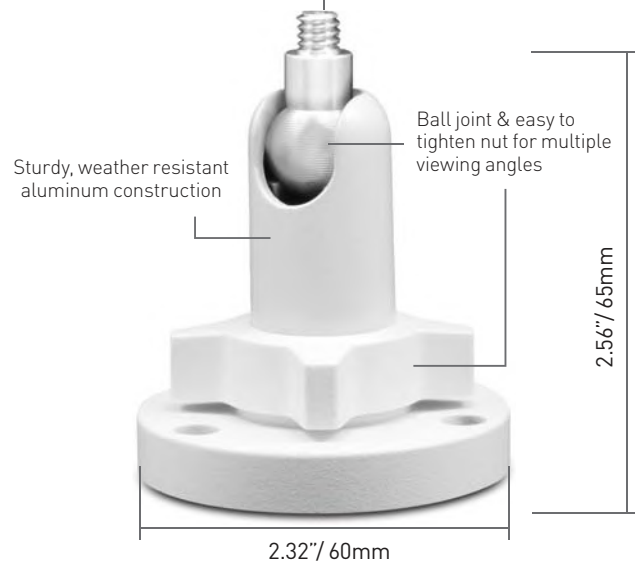
What's in the box?

- Outdoor Mounting Stand
- Mounting Screws & Wall Plugs
- Drilling Guide & Instructions



- Secure mount for walls & ceilings
- Use the stand to maneuver the camera to find the best viewing angle
- Tripod mount with 1/4" / 6.35mm thread to suit smart security cameras

Tripod mount with 1/4" / 6.35mm thread to suit most security cameras



Easy mounting with screws & plugs included